

PX SERIES



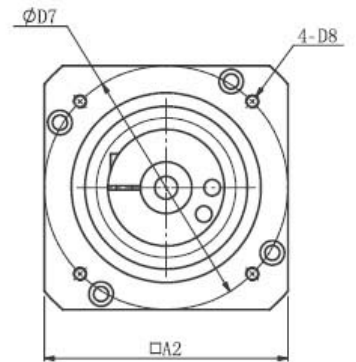
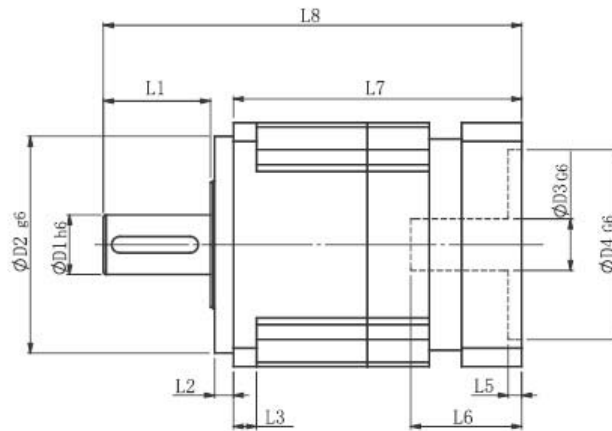
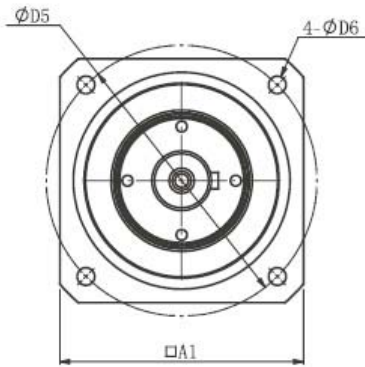
- Fully integrated design, maximum precision is maximized.
- Double-supported cage carrier structure with high reliability and adapt to frequent positive and negative reversal.
- Helical gear transmission, the transmission is more stable and the bearing is larger.
- Low return clearance, more accurate positioning.
- Special turret structure can carry greater radial and axial forces.

Dimension Size : 60-180

Geer Ratio Range : 3-100

Accuracy Range : 1-3arcmin (P1)

Accuracy Range : 3-5arcmin (P2)



Series	PX																											
Model	D1	D2	D3	D4	D5	D6	D7	D8	L1	L2	L3	L4	L5	L6	L7(L1)	L7(L2)	L8(L1)	L8(L2)	A1	A2	S1	S2	S3	S4	B	H	C	
PX60	16	50	14	50	70	5.5	70	M4	29	7	8	37	4	32	70.5	98	107.5	135	60	60	3	20	5	15	5	18	M5	
PX90	22	80	19	70	100	6.5	90	M5	39.5	7	8.5	48	5	48	106.5	141	154.5	189	90	90	3	32	5	17	6	24.5	M6	
PX120	32	110	22	110	130	8.5	145	M8	50	10	12	62	7	60	131.5	182.5	193.5	244.5	120	130	5	40	6	25	10	35	M12	
PX140	40	130	35	114.3	165	11	200	M12	82.5	12	12	97	10	82	164	218.5	261	315.5	140	176	5	65	10	36	12	43	M16	
PX180	55	160	35	114.3	215	13.5	200	M12	82	20	15	105	10	81	176.5	244.5	281.5	349.5	180	180	6	70	10	50	16	59	M20	

Parameter / Specification		PX60	PX90	PX120	PX140	PX180	
Rated Torque(Nm)	Stage	Ratio					
		L1	3	40	105	165	360
	L1	4	45	130	230	480	880
		5	45	130	230	480	1100
		6	45	130	225	480	1100
		7	45	100	220	480	1100
		8	40	90	200	440	880
		9	30	75	175	360	770
		10	30	75	175	360	770
		L2	15	40	105	165	360
	20		45	110	230	480	880
	35		45	110	230	480	1100
	40		45	110	230	480	1100
	50		45	110	230	480	1100
70	45		100	220	480	1100	
100	30	75	175	360	770		